

FIG. 1

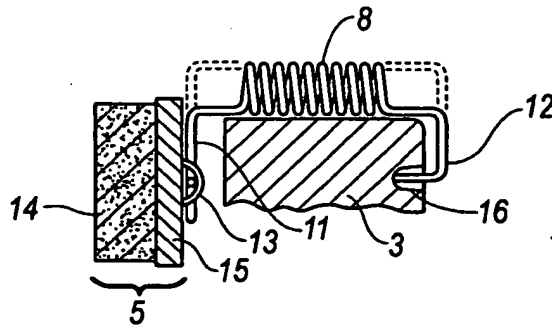


FIG. 2

approved  
XLW  
1/25/05

Title: Spot Type Disc Brake With a Spring Assembly for a Brake Lining  
Inventor: Burgdorf, J.  
Atty. Docket No.: AP9976  
S.N. 09/916,174

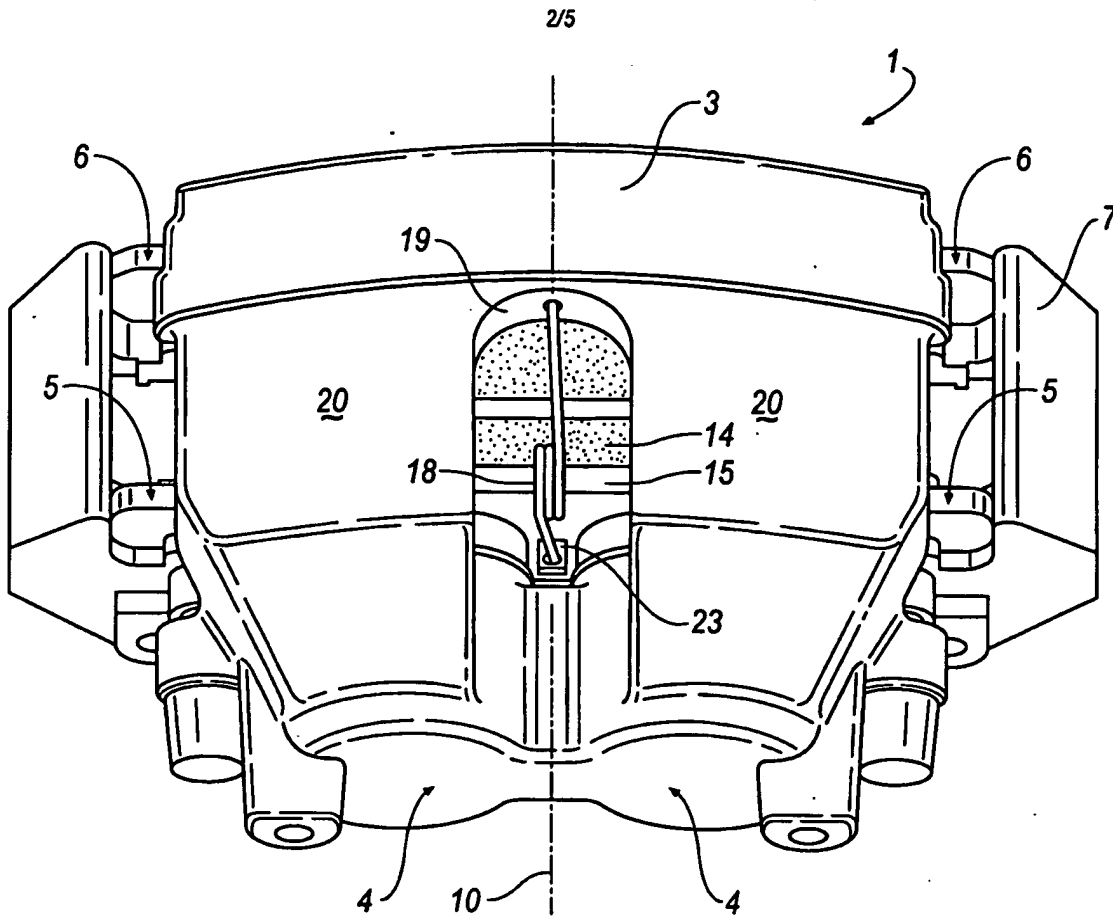


FIG. 3A

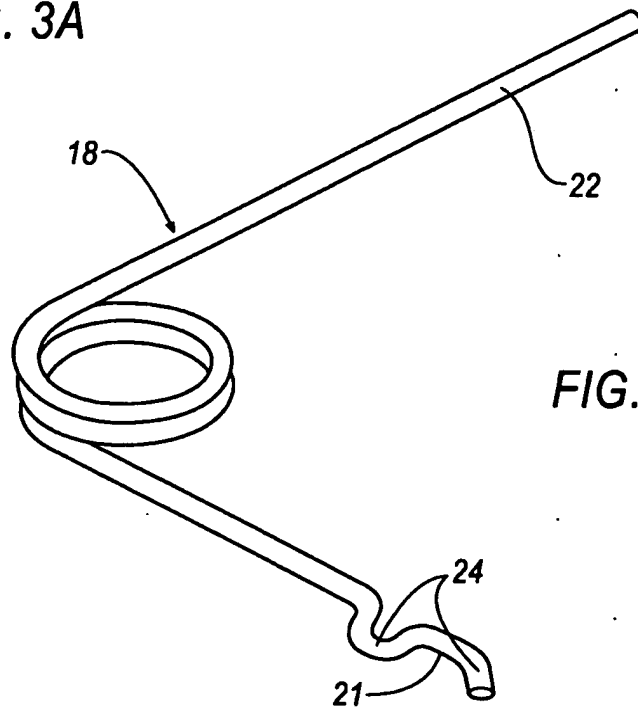


FIG. 3B

approved  
XLN  
1/25/05



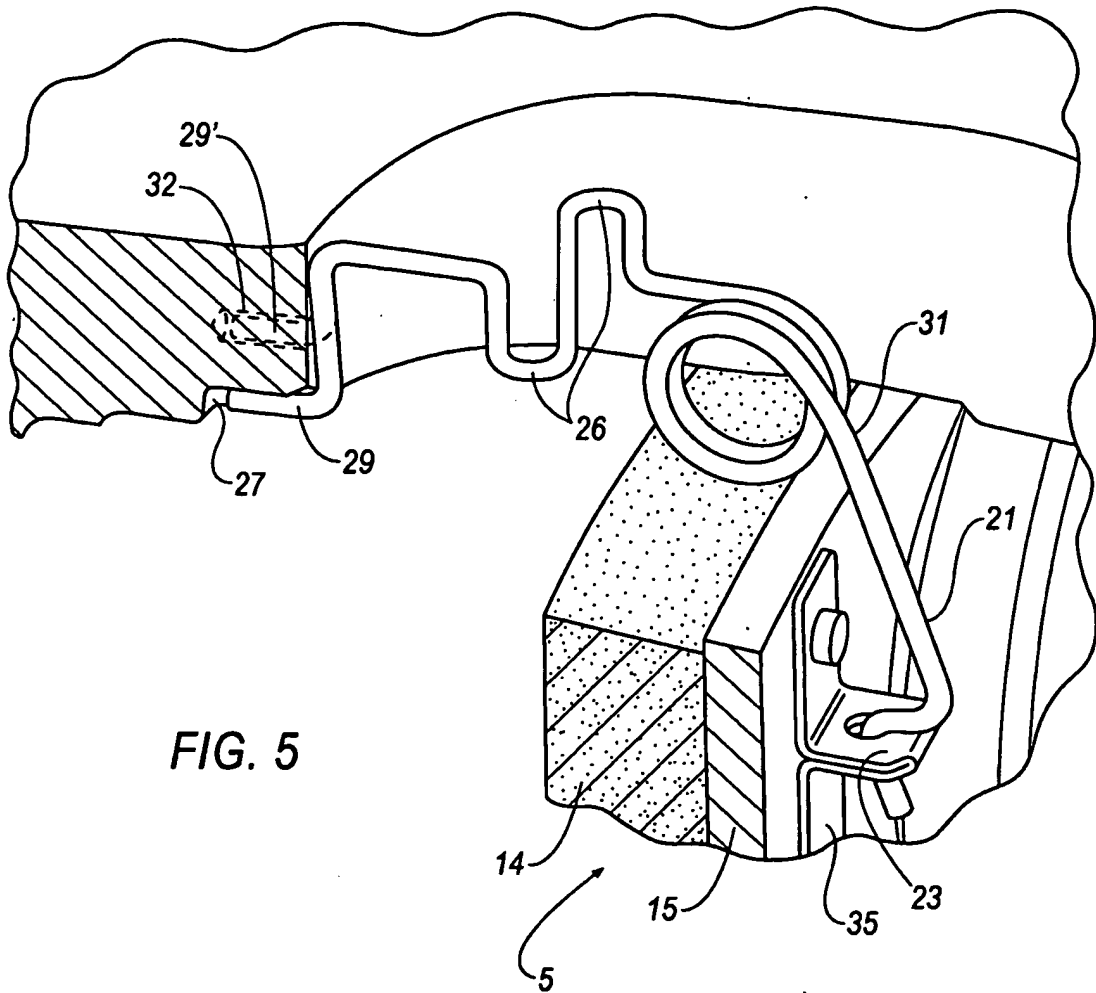


FIG. 5

approved  
XLN  
1/25/05

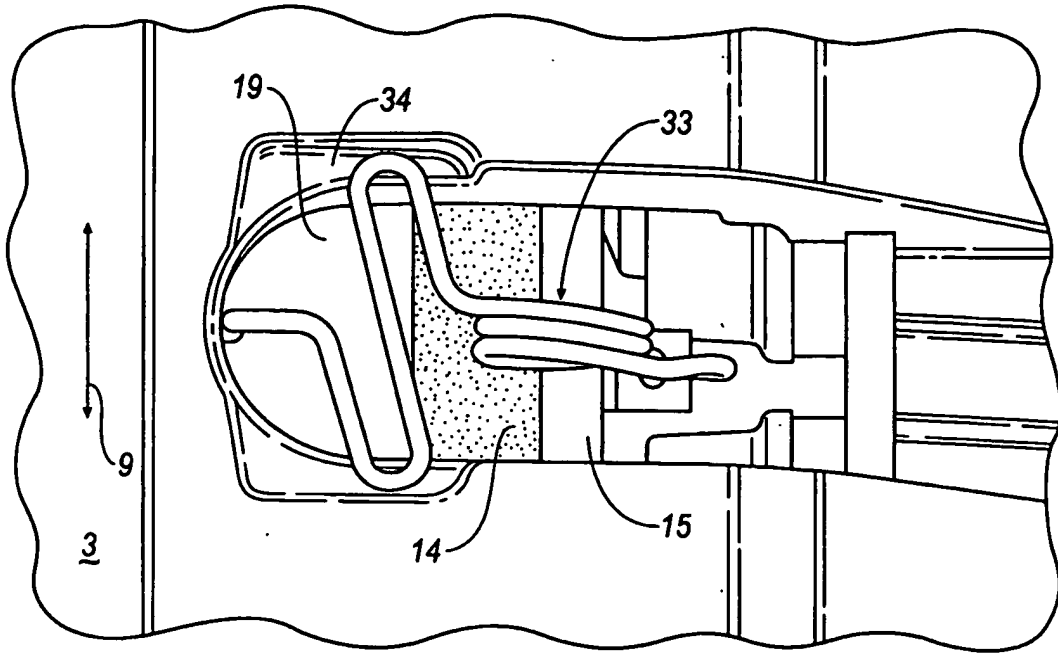


FIG. 6A

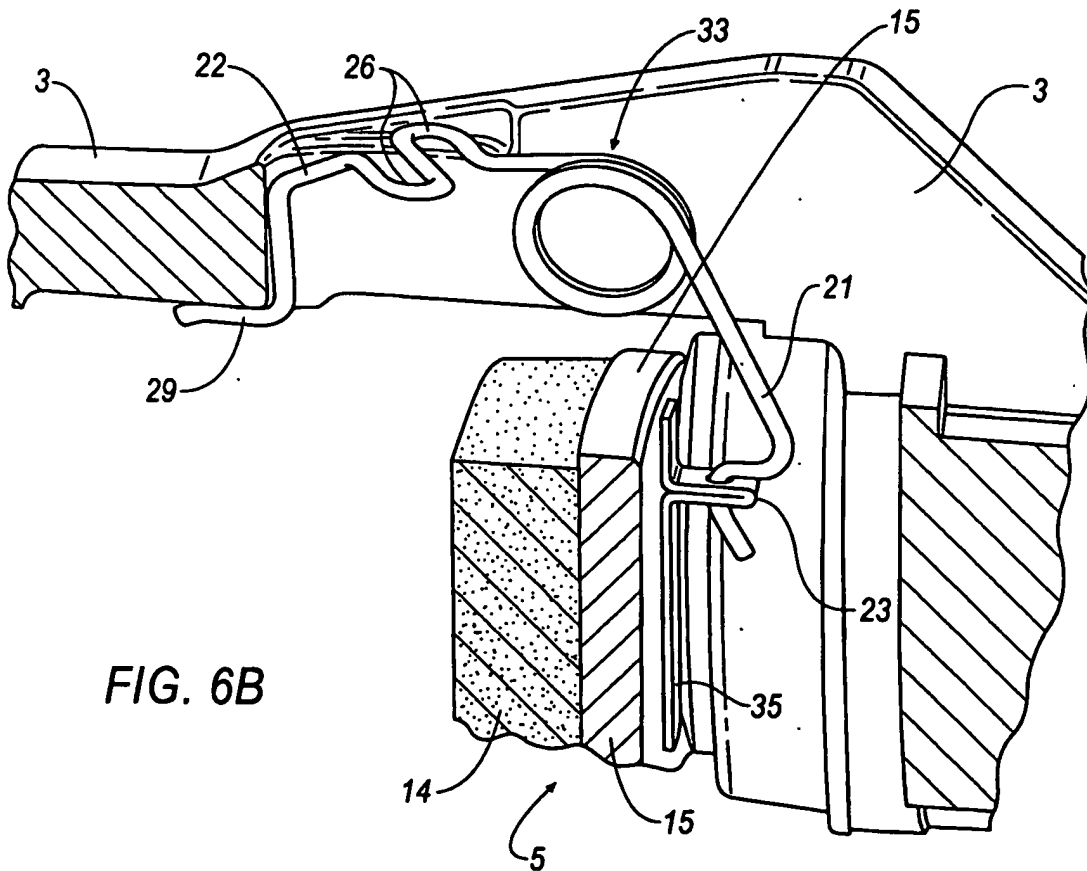


FIG. 6B

approved  
1/25/05